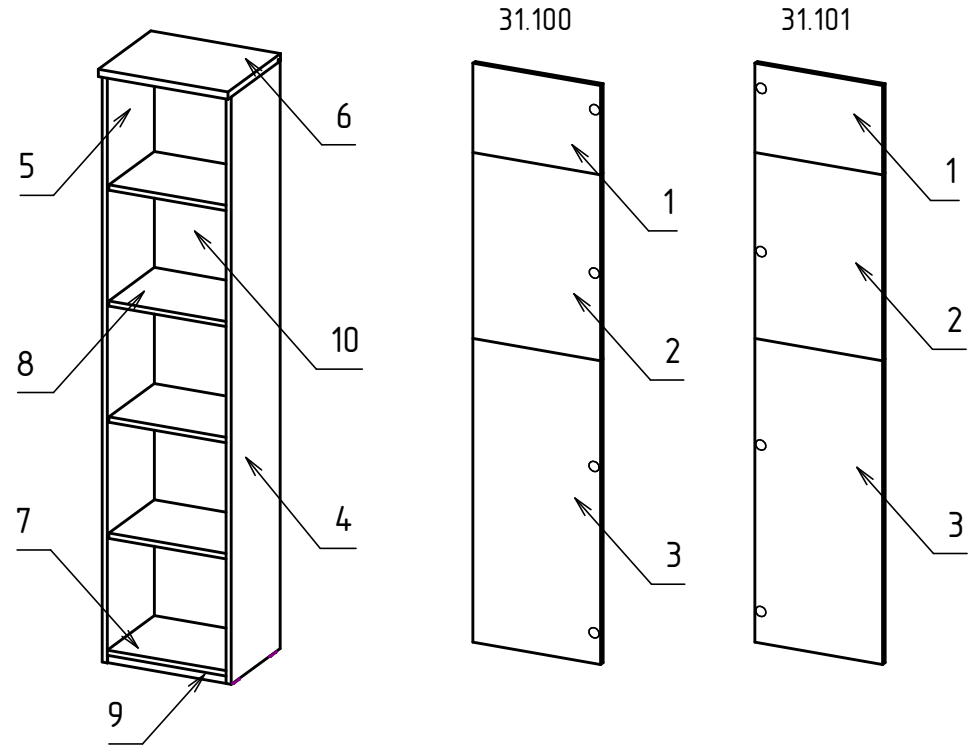
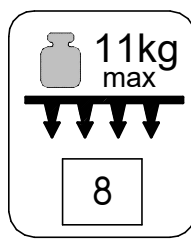
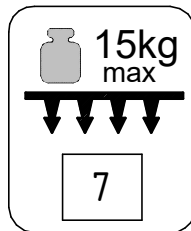
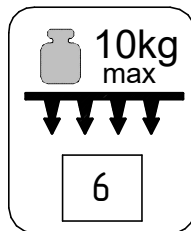
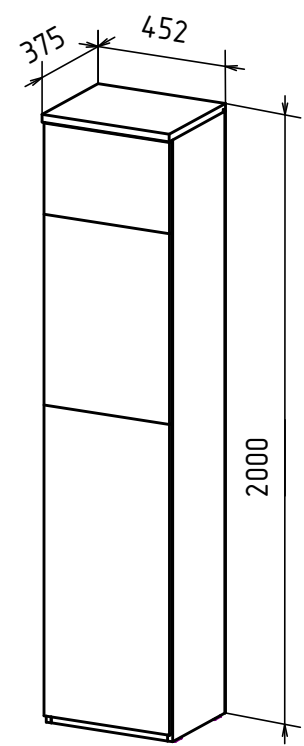
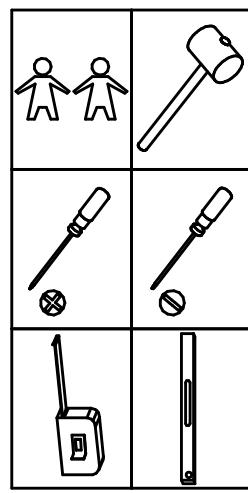
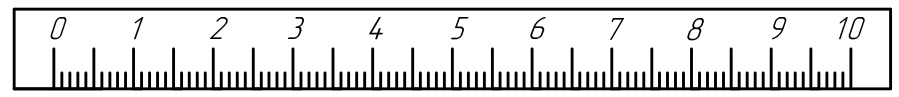
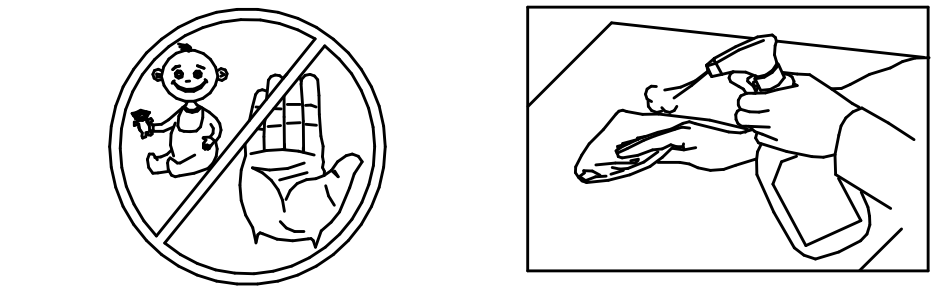
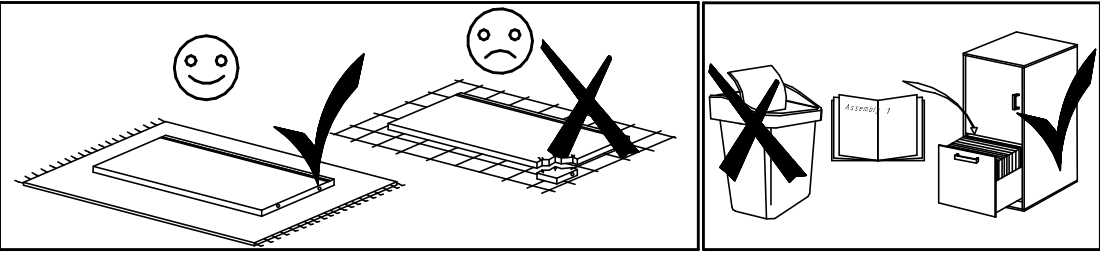


# "TOSCANO" Art. 31.100, Art. 31.101

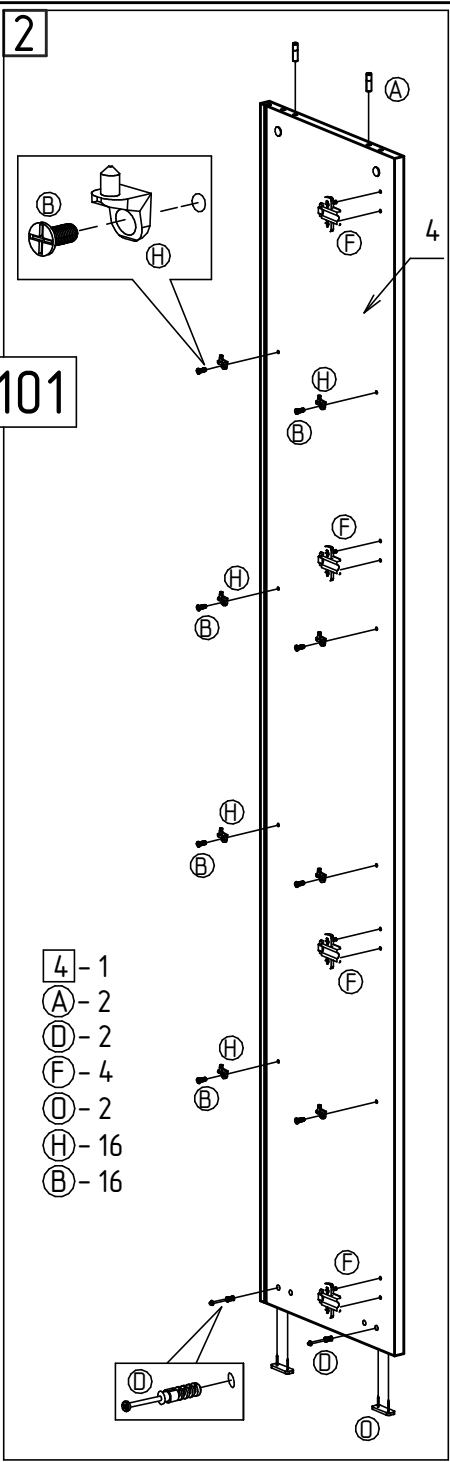
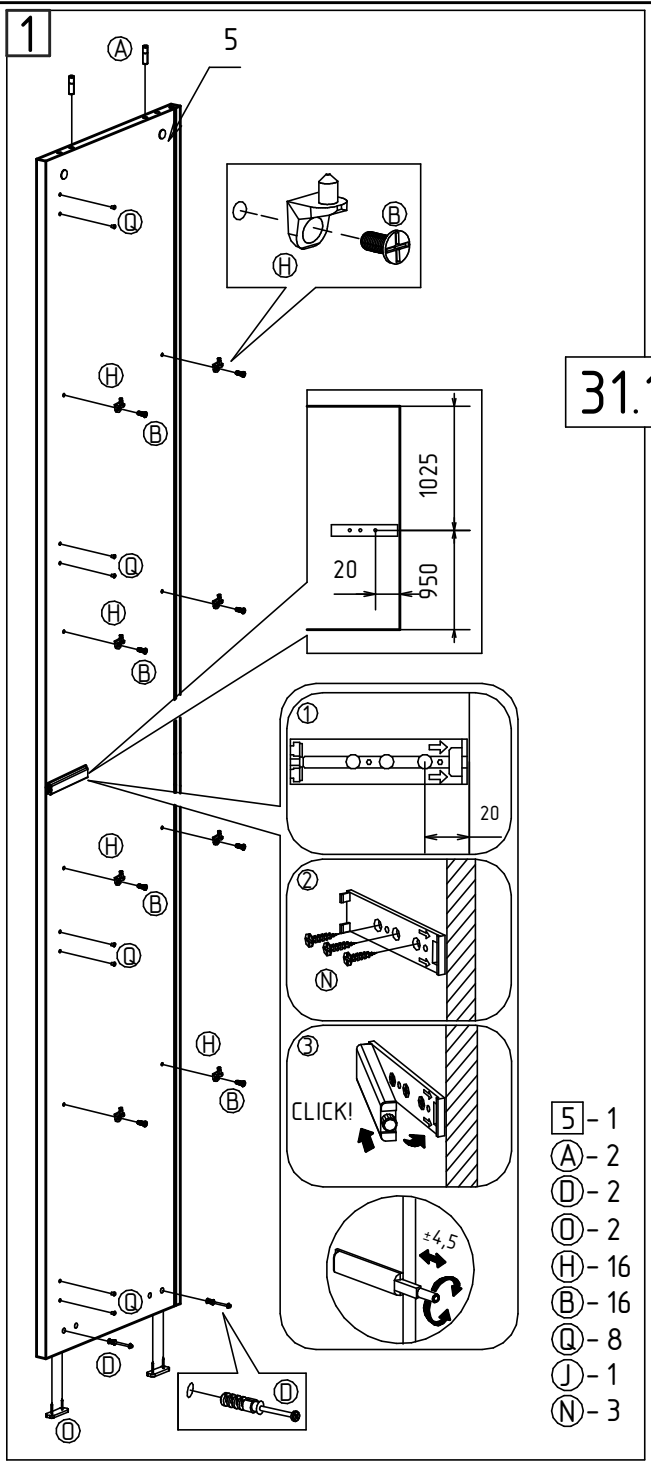
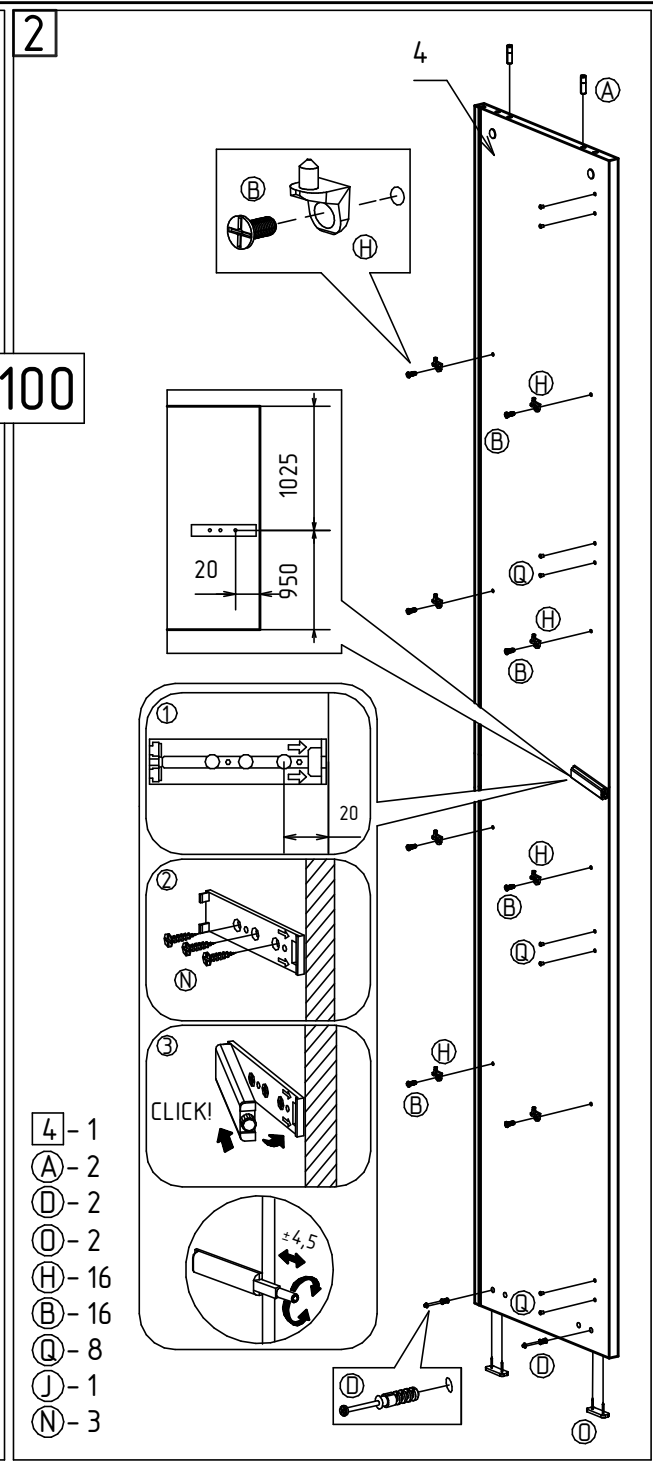
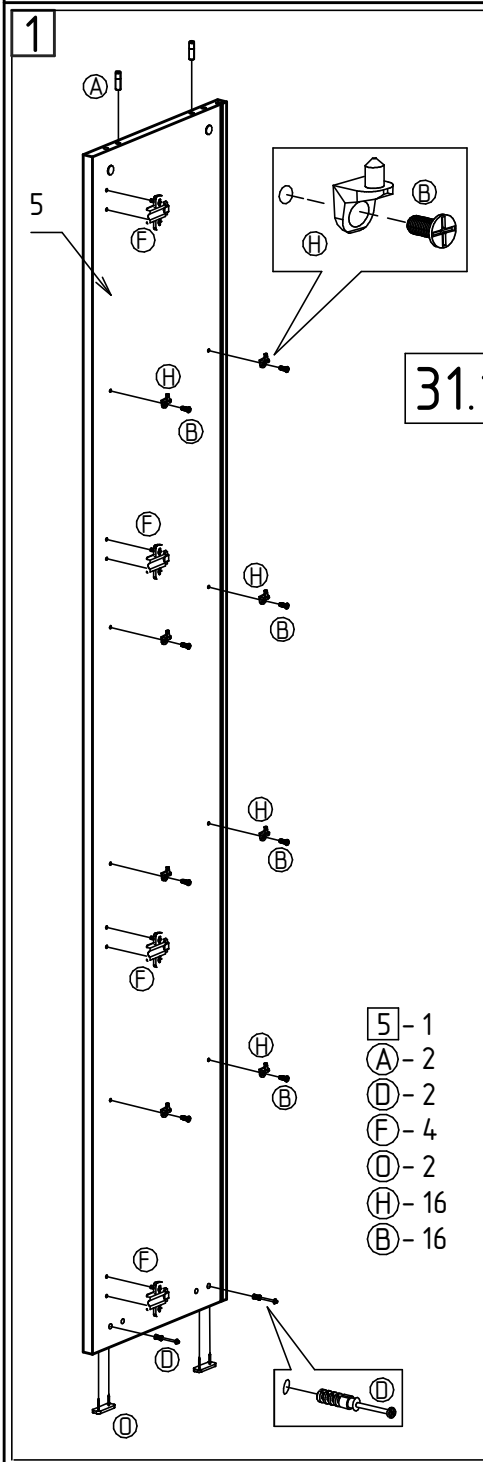


A	x8	B	x16	C	x16	D	x8	E	x4	F	x4
8x28		US 6.3x11		15x13		Rapid S					
G	x4	H	x16	I	x8	J	x1	L	x2	M	x4
						Push to open		UP 4x35		8x60	
N	x11	O	x4	P	x12+4	Q	x8	R	x1	S	x2
US 3.5x16				d20		d 5				UP 3.5x13	
T	x1	U	x1								
80x4.0x20		US 5x70									

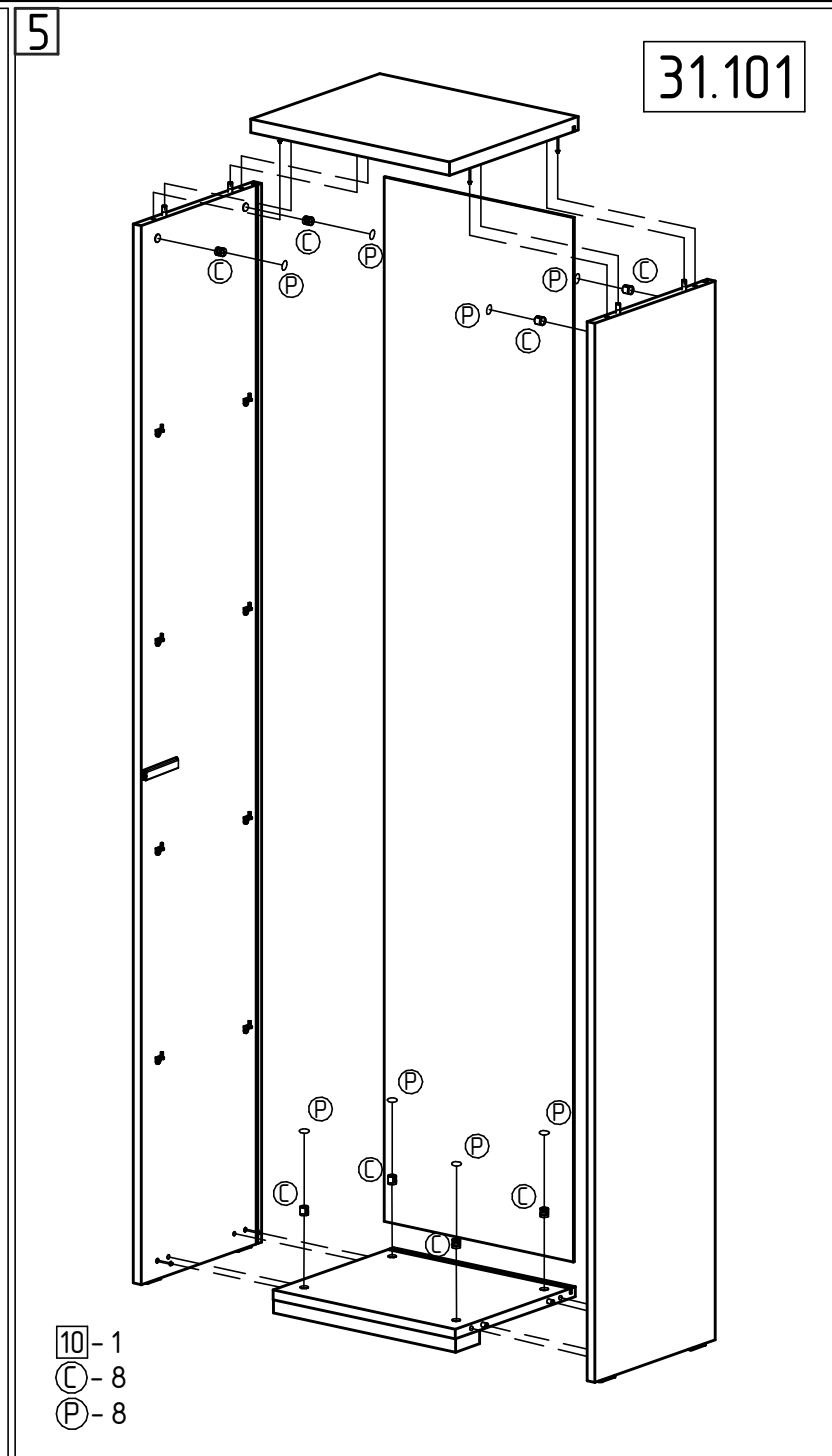
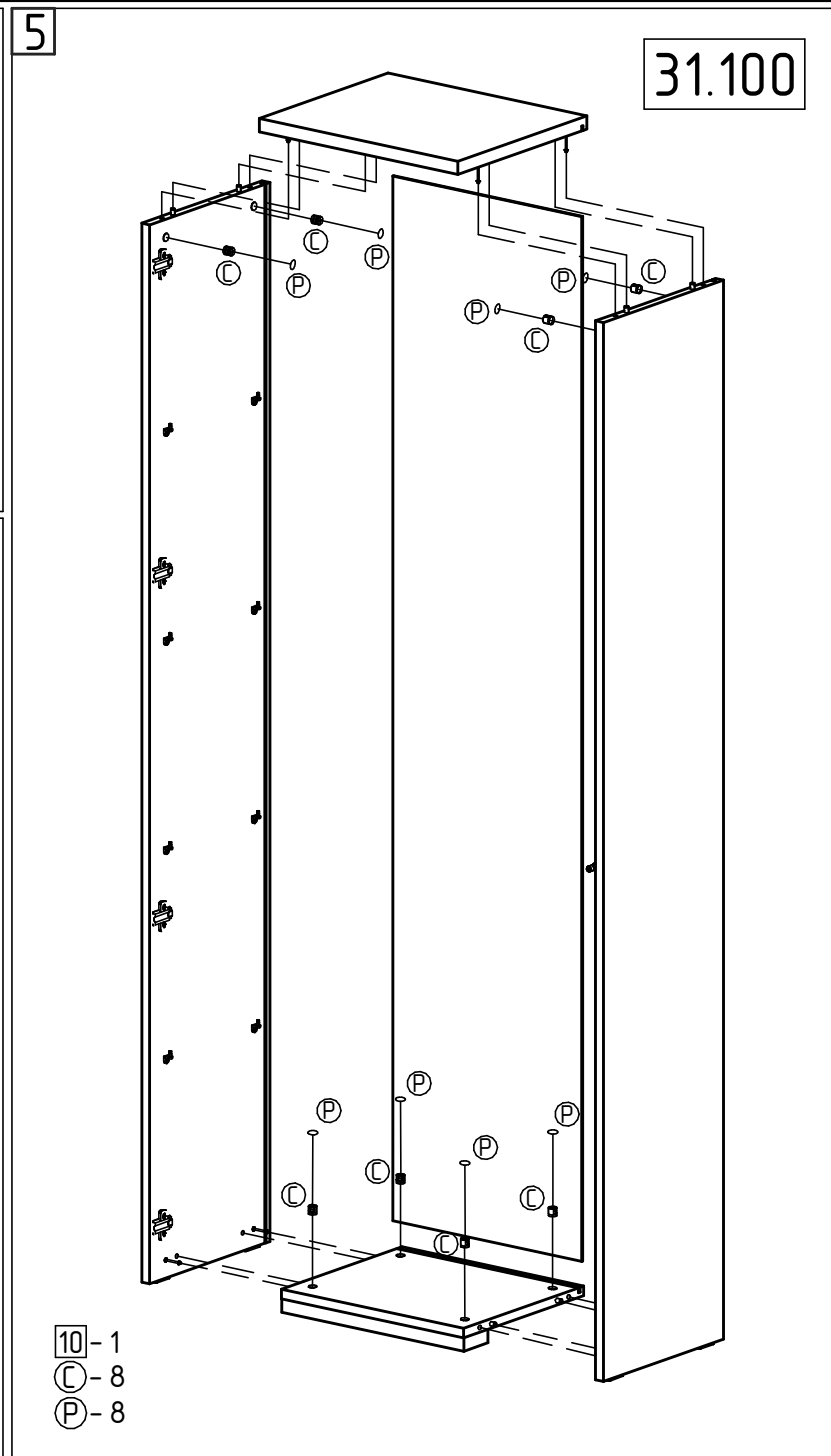
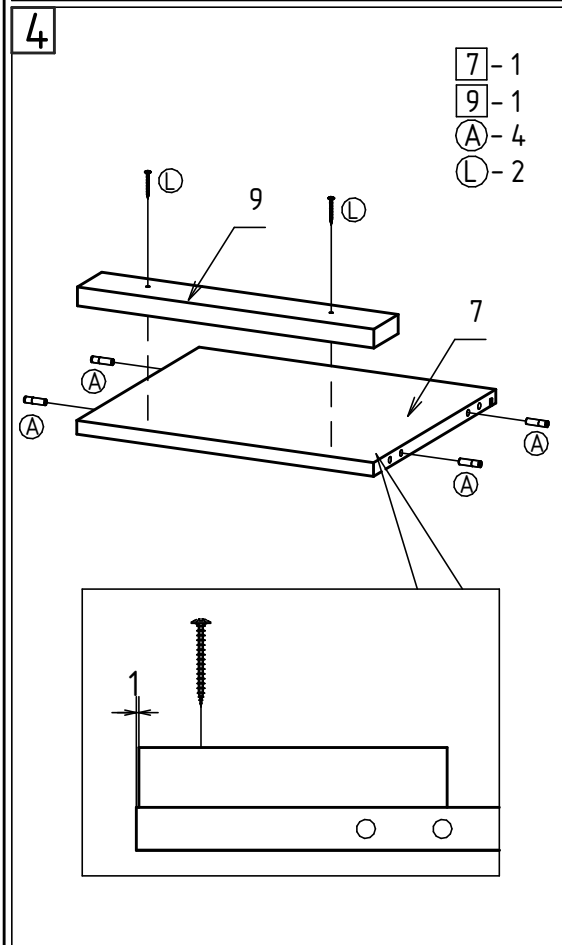
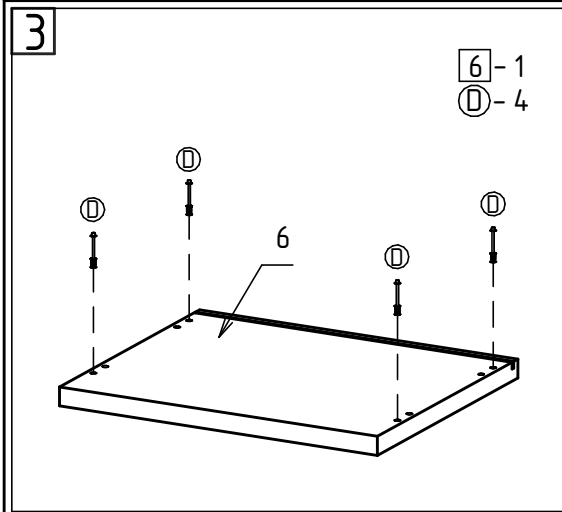
Packaging number	Contains	L*W*H	Quantity
1	3	1020x446x18	1
	2	625x446x18	1
	1	300x446x18	1
2	10	1948x430x3	1
	4	1975x350x18	1
	5	1975x350x18	1
3	6	452x375x25	1
	7	414x350x18	1
	9	414x70x25	1
	8	414x325x18	4



# "TOSCANO" Art. 31.100, Art. 31.101



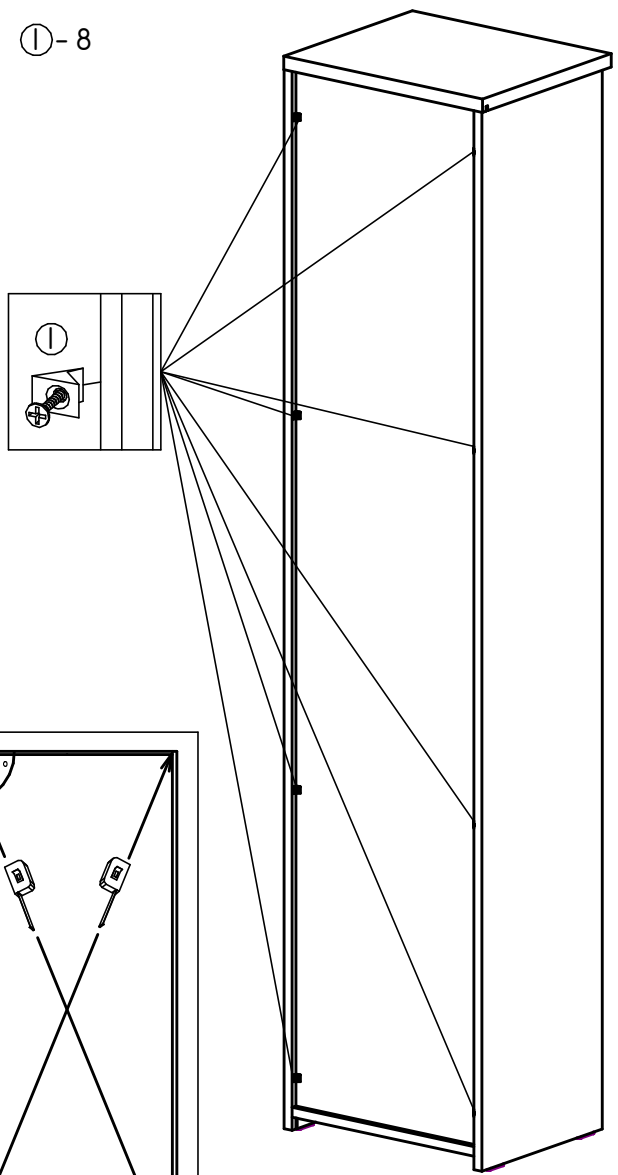
# "TOSCANO" Art. 31.100, Art. 31.101



# "TOSCANO" Art. 31.100, Art. 31.101

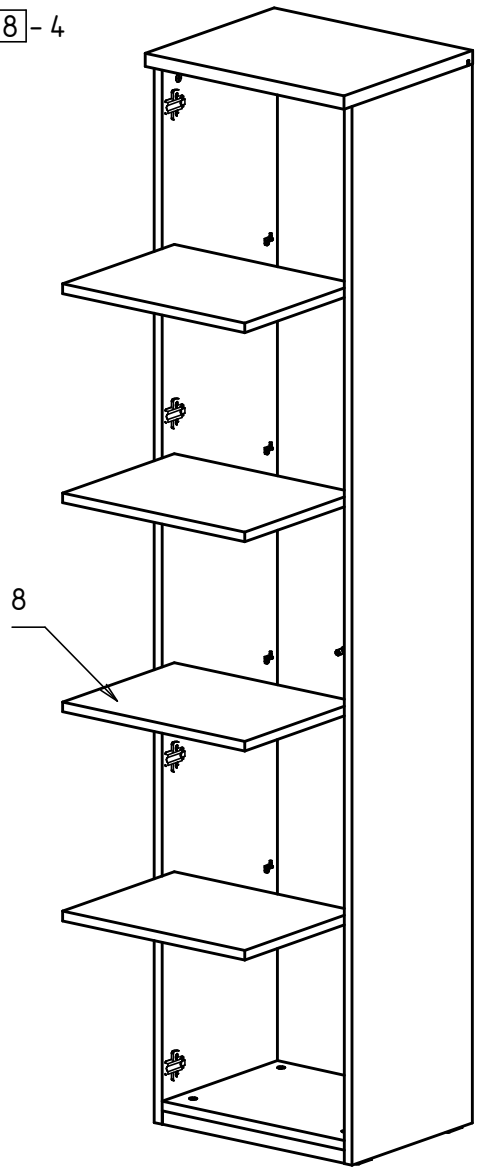
6

①-8



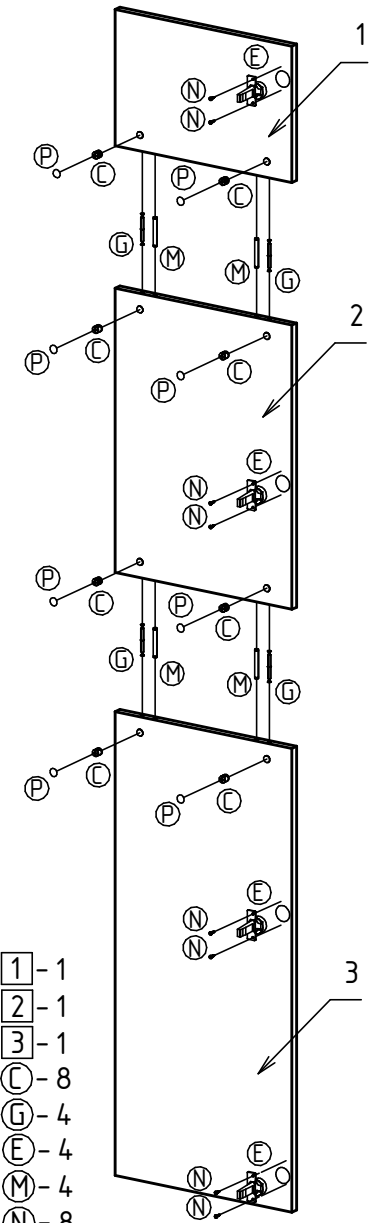
7

8-4



8

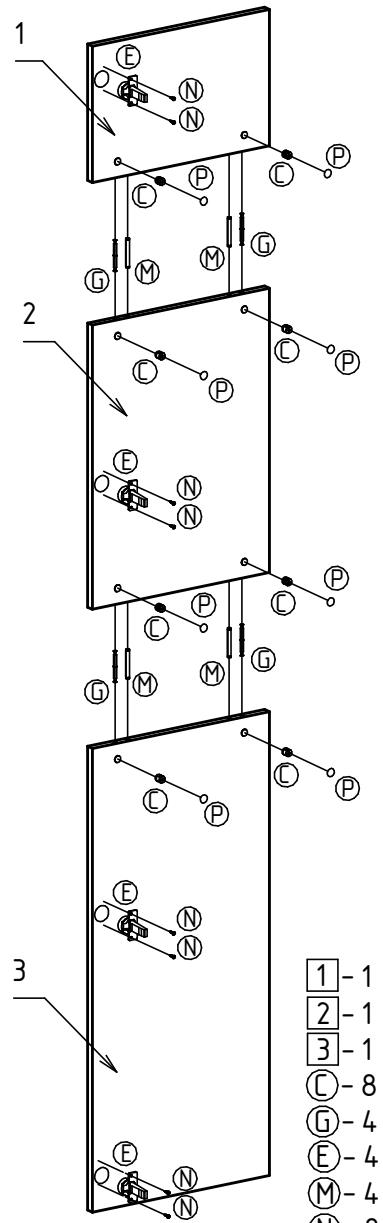
31.100



- 1-1
- 2-1
- 3-1
- C-8
- G-4
- E-4
- M-4
- N-8
- P-4+4

8

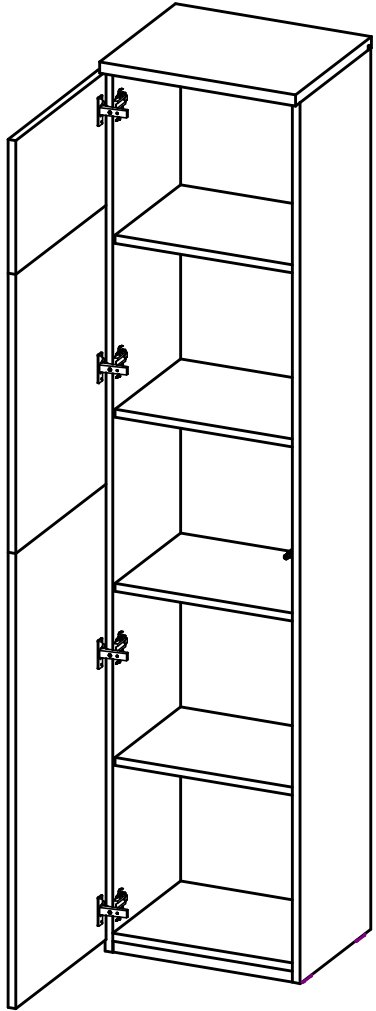
31.101



- 1-1
- 2-1
- 3-1
- C-8
- G-4
- E-4
- M-4
- N-8
- P-4+4

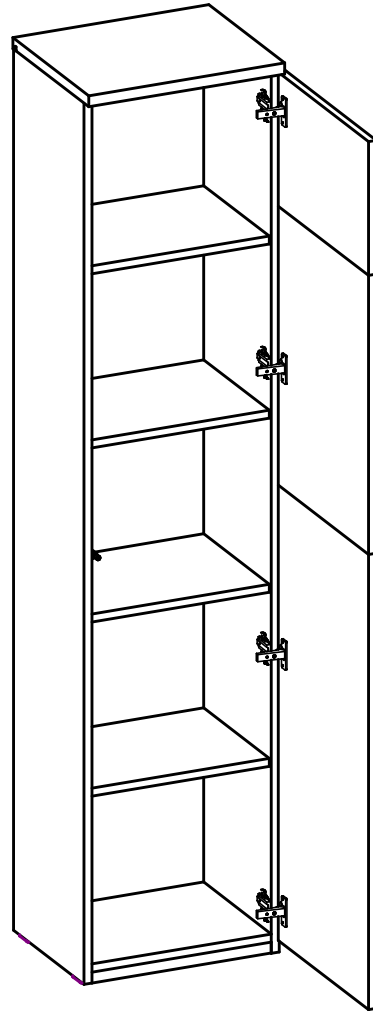
# "TOSCANO" Art. 31.100, Art. 31.101

9



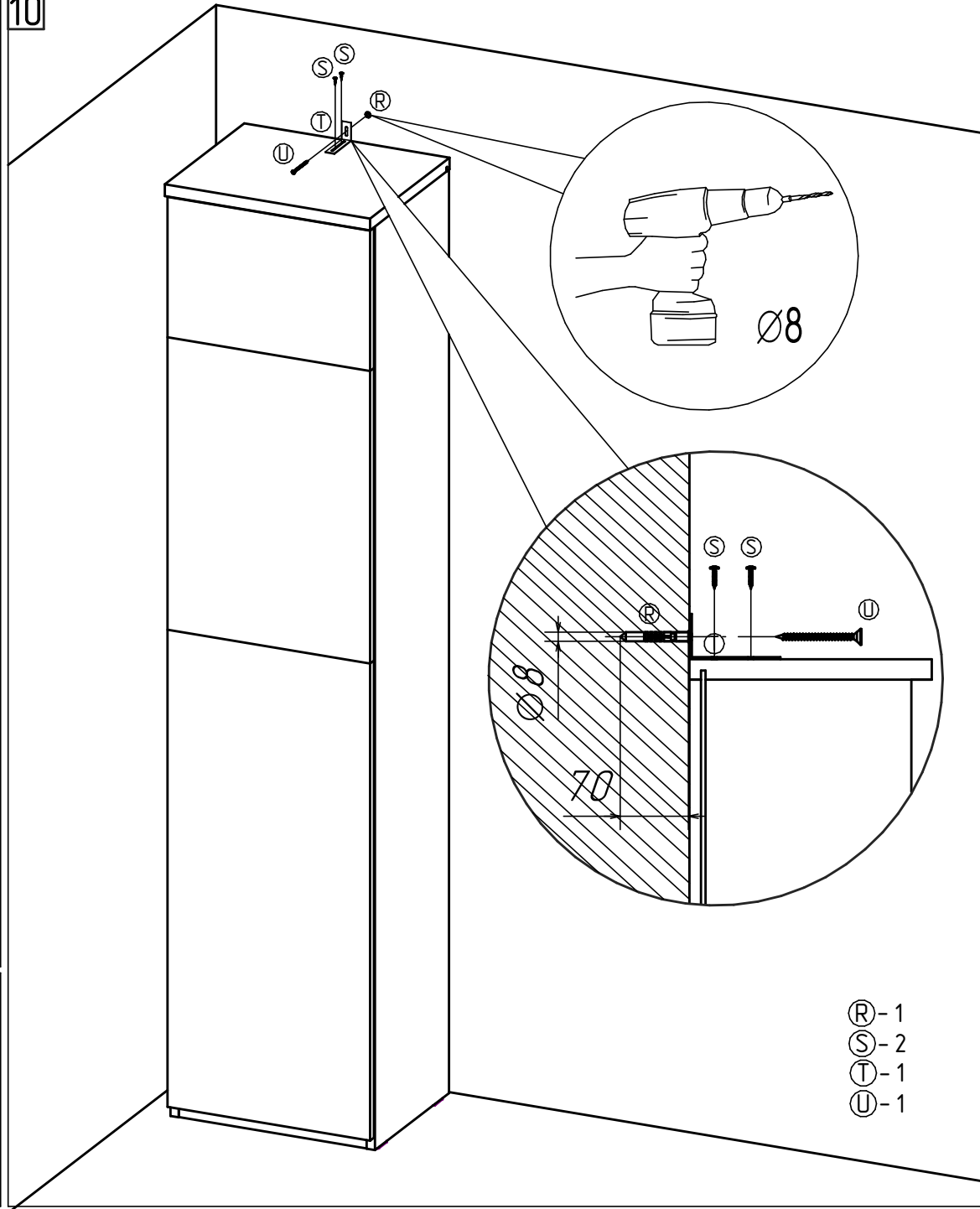
31.100

9



31.101

10



- (R)-1
- (S)-2
- (T)-1
- (U)-1

